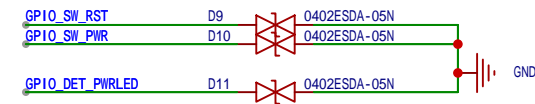
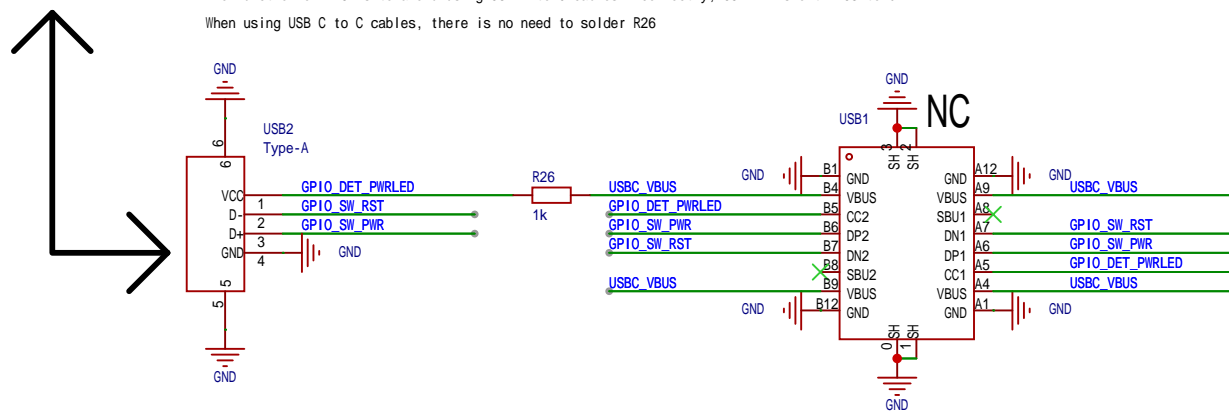


The function of R26 is to avoid using USB A to C cables incorrectly, U5 will short VBUS to GND  
When using USB C to C cables, there is no need to solder R26



**SIPEED**

Shenzhen Sipeed Techno. Co,Ltd.      Date:

SCH:      Rev:

Page:      Id: