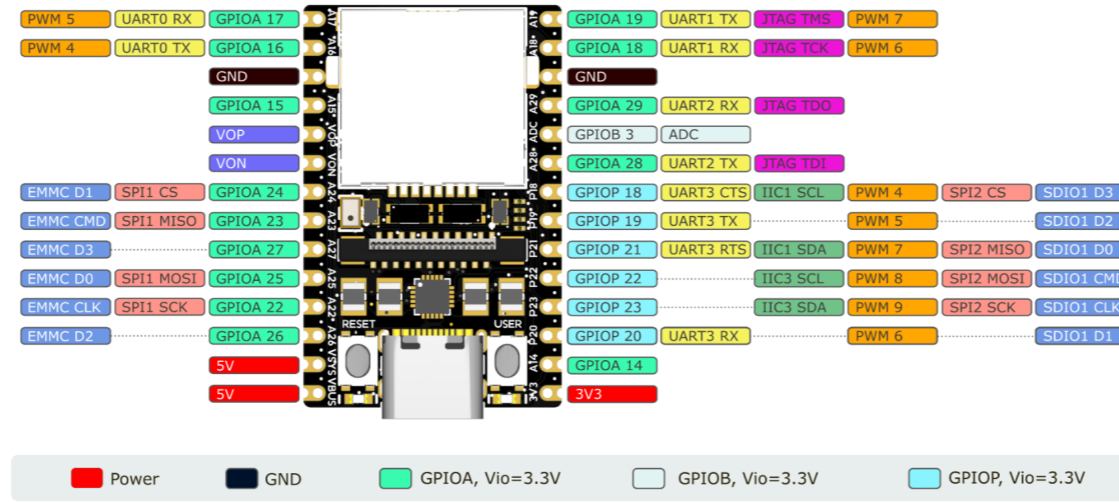
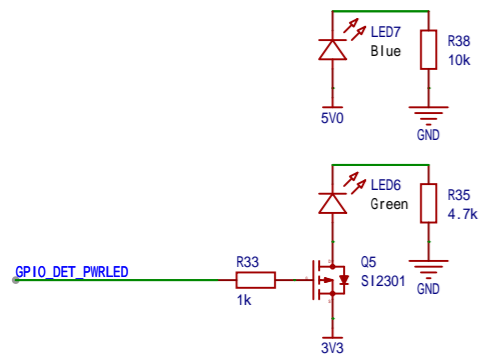
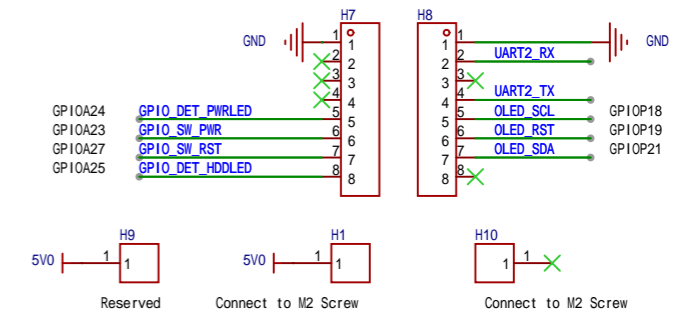


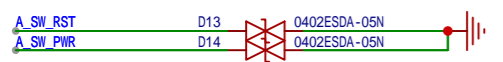
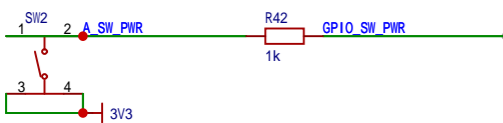
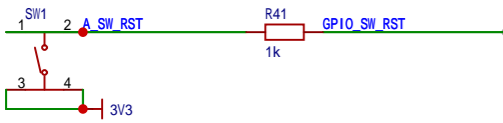
# LED



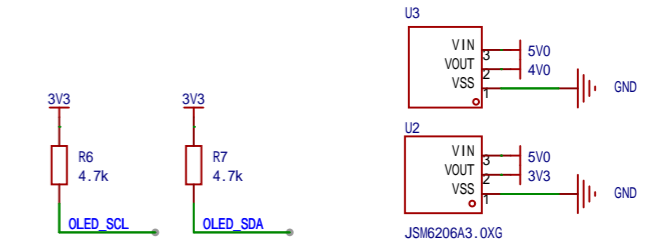
# Pin Header (Connect to RV nano)



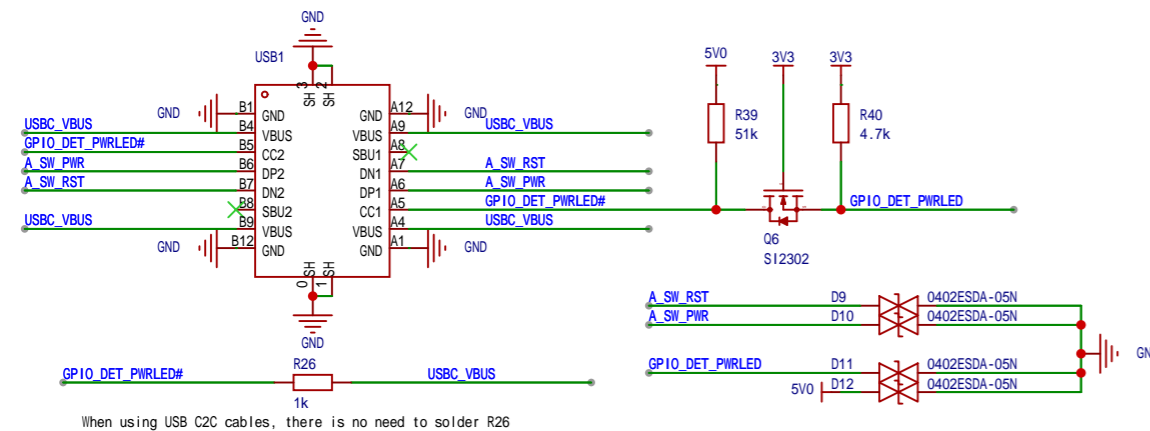
# Button



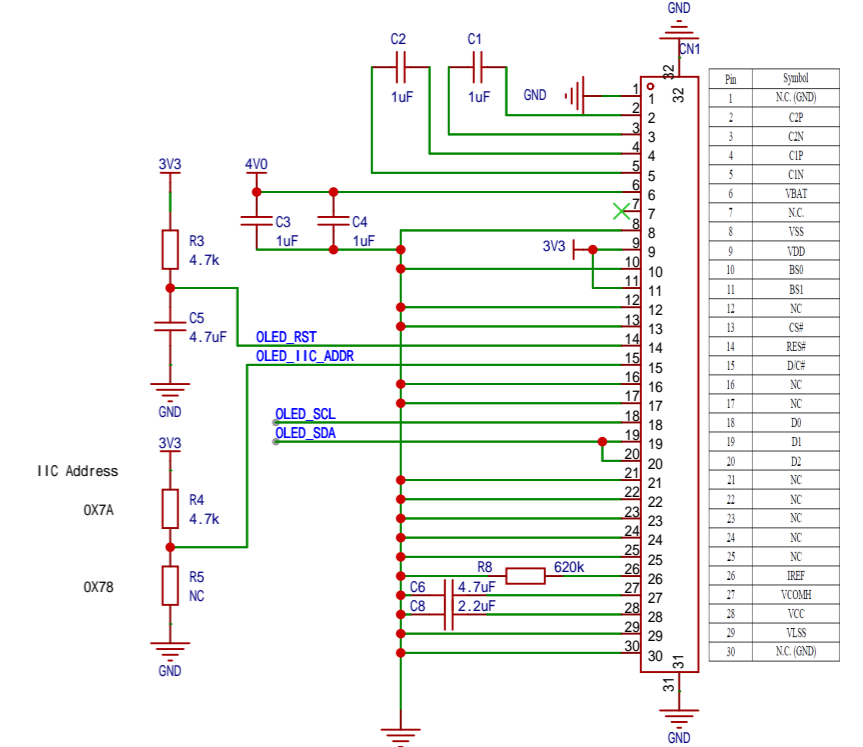
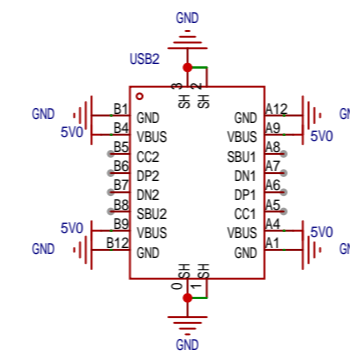
# 0.96inch OLED mono white



# USBC Connect to KVM\_B



# USBC Power input only



Shenzhen Sipeed Techno. Co.,Ltd. Date: \_\_\_\_\_  
 SCH: \_\_\_\_\_ Rev: \_\_\_\_\_  
 Page: \_\_\_\_\_ Id: \_\_\_\_\_